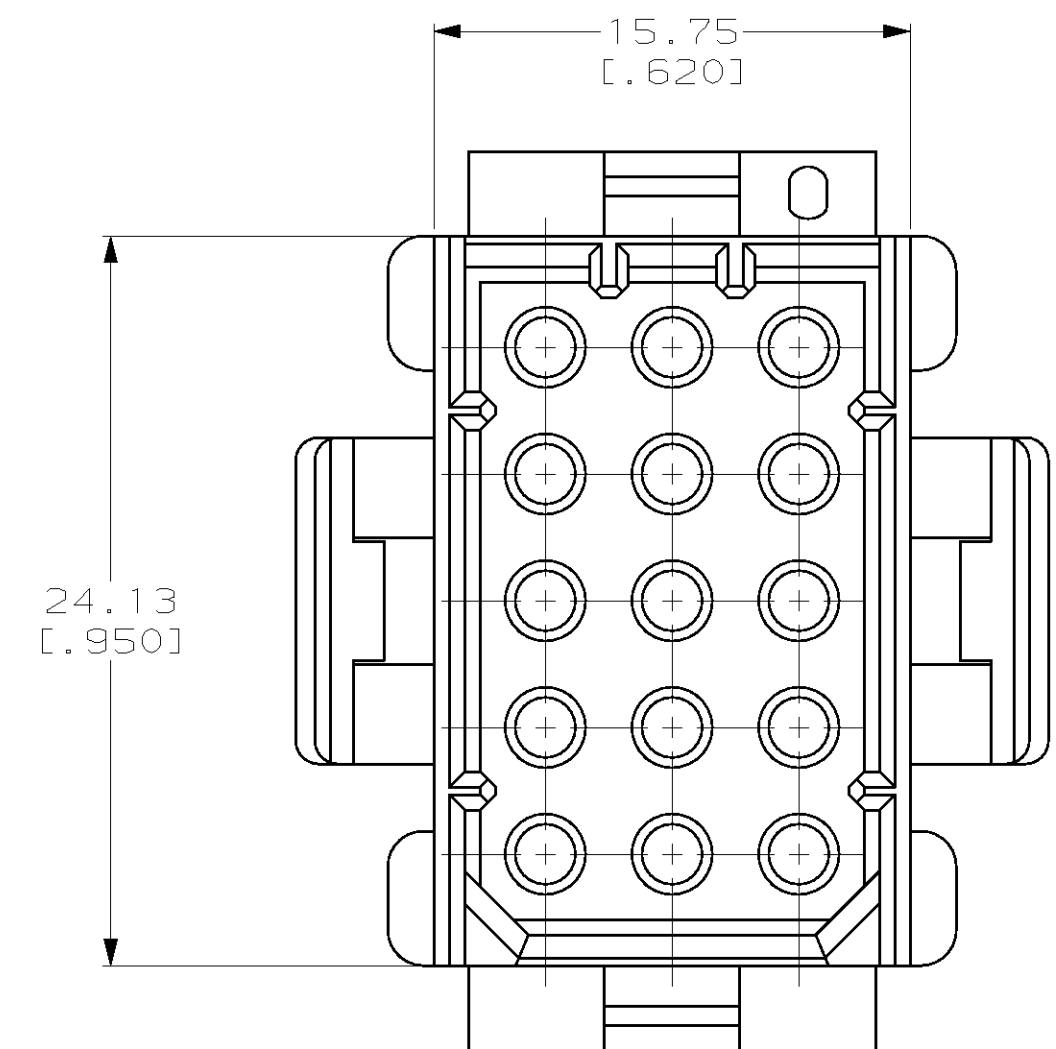
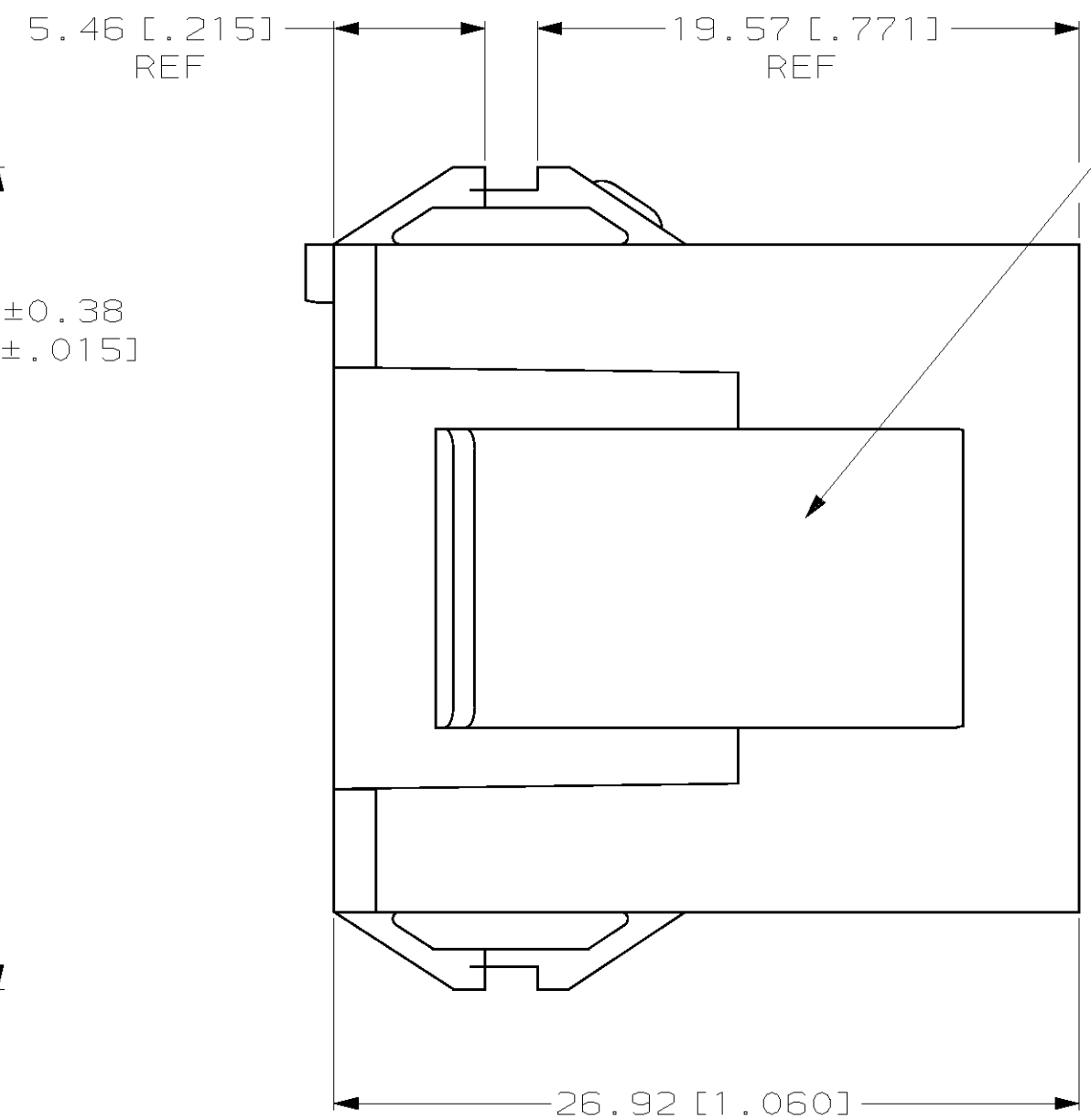
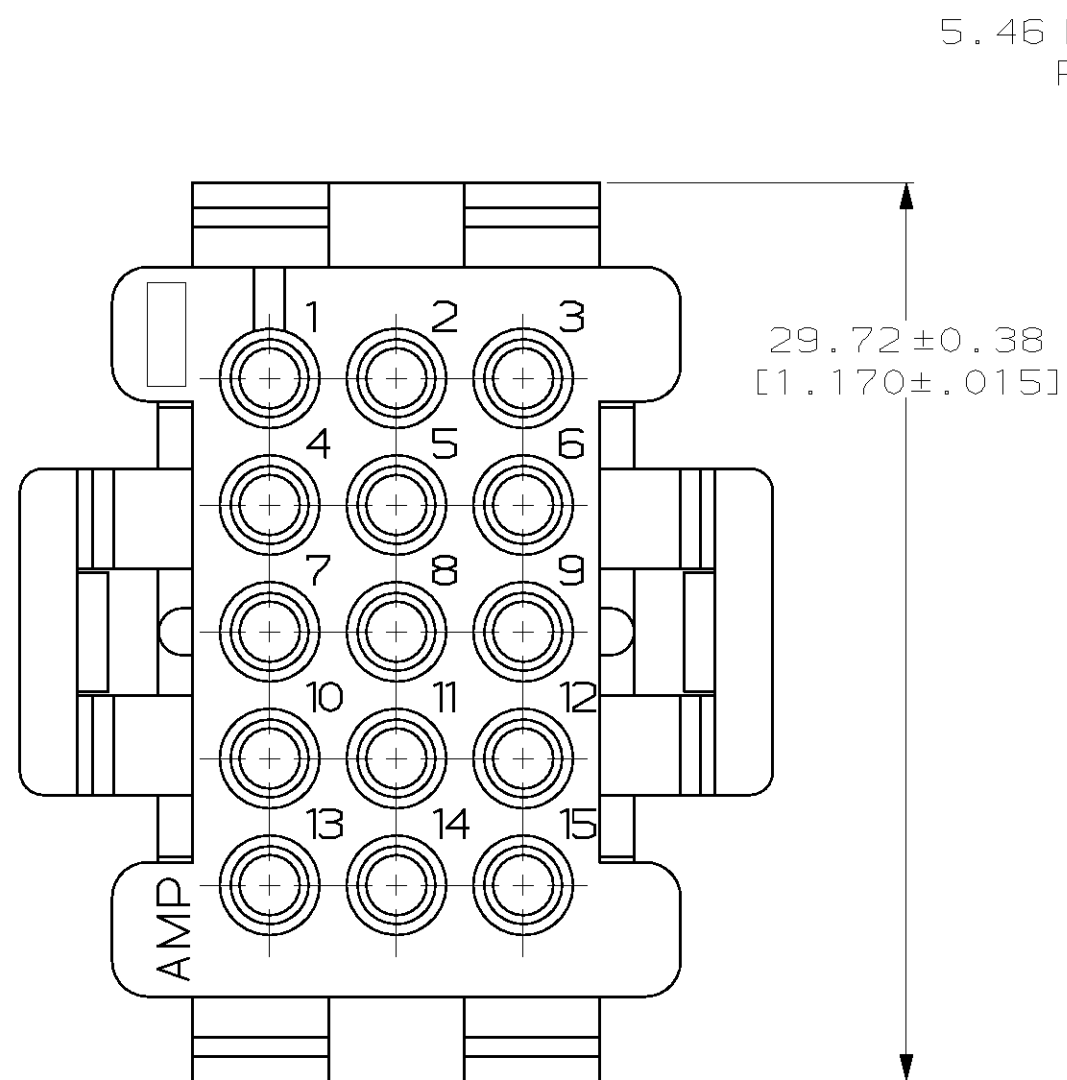
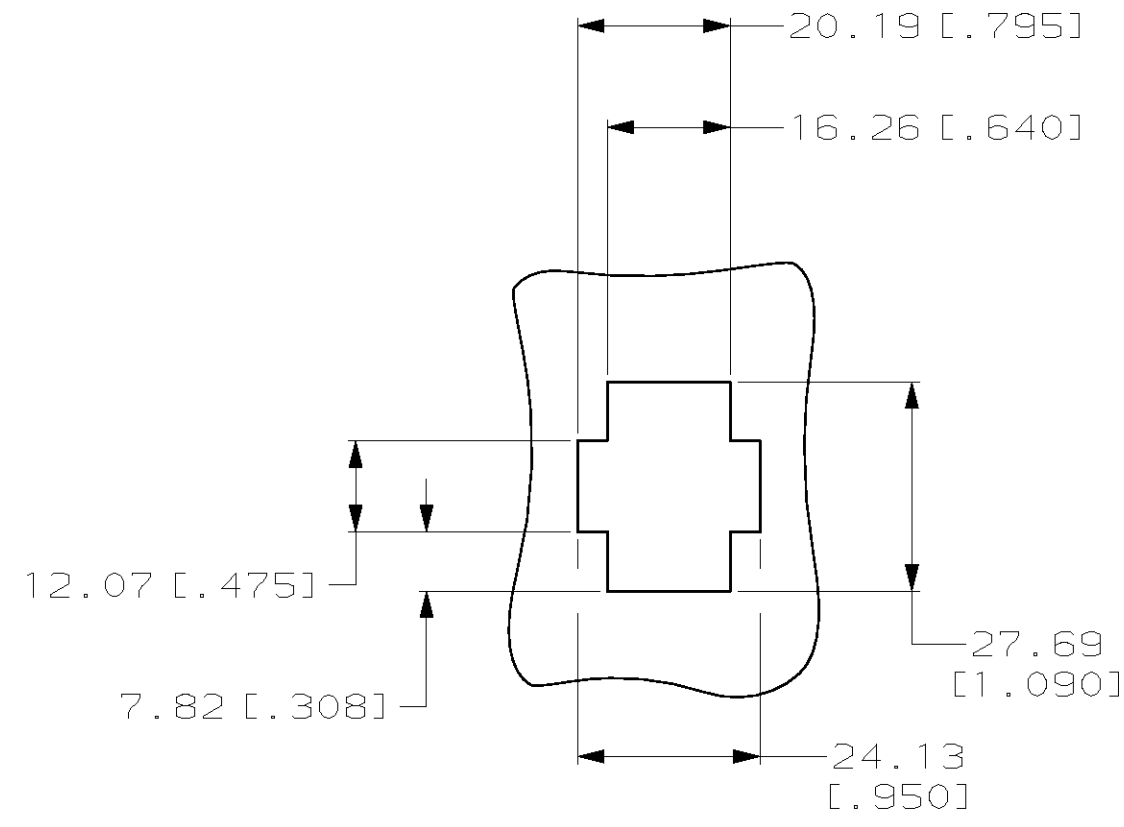
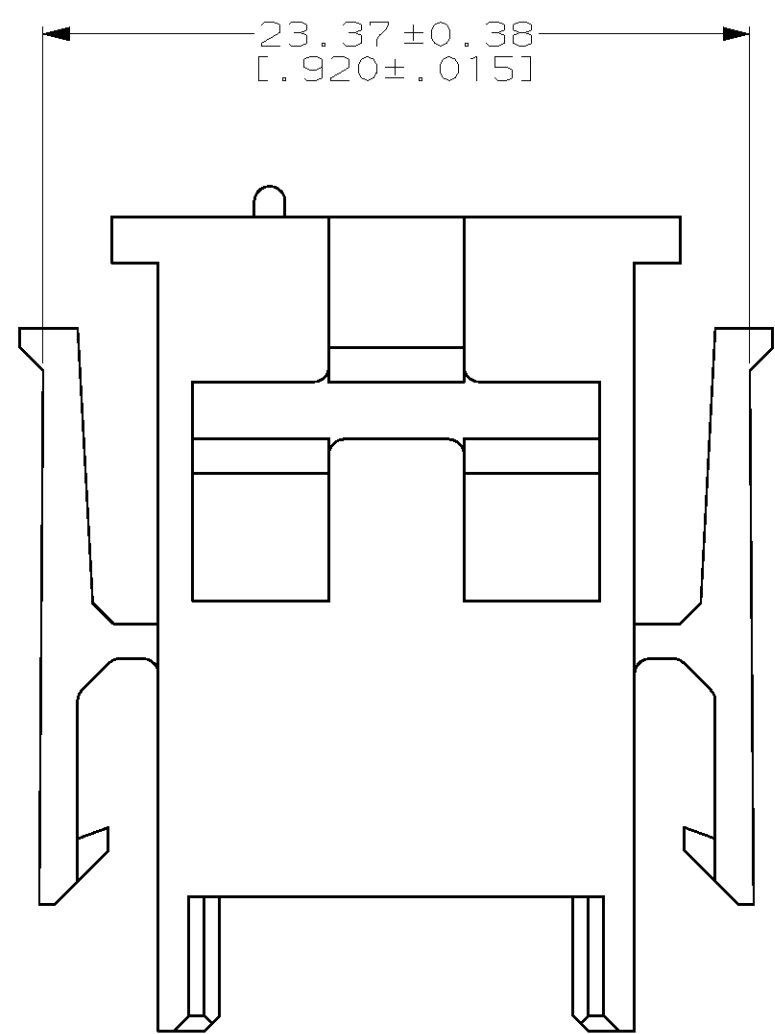


THIS DRAWING IS UNPUBLISHED. RELEASED FOR PUBLICATION .19
 (C) COPYRIGHT 19 BY AMP INCORPORATED. ALL RIGHTS RESERVED.

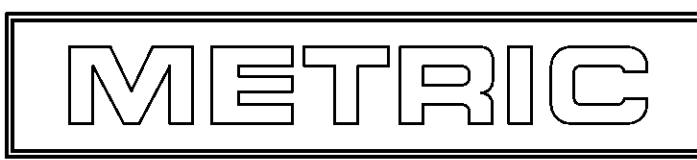
LOC		DIST		REVISIONS			
P	LTR	DESCRIPTION	DATE	DWN	APVD		
CM	52						
D		REV PER EC 0L30-0015-97	2-21-97	JH	RS		



- MATES WITH HOUSING 640523.
- UL LOGO AND CSA LOGO TO APPEAR ON EITHER LATCH SURFACE PER AMP SPEC 202-20, I.D. NO. 1-18838-3 AND 1-18839-3. FROST BACKGROUND OPTIONAL.
- DIMENSIONS IN BRACKETS ARE IN INCHES.



RECOMMENDED CUT OUT
 FOR 1.73 [.068] MAX THICK PANEL
 SCALE 1:1



1-640513-0
 PART NUMBER

THIS DRAWING IS A CONTROLLED DOCUMENT.		DWN	R. VESTAL	7-12-96	AMP Incorporated Harrisburg, PA 17105-3608	
DIMENSIONS:		CHK	R. SWING	7-12-96		
mm [INCHES]		APVD	A. BEDDICK	7-12-96		
TOLERANCES UNLESS OTHERWISE SPECIFIED: 0 PLC ± 1 PLC ± 2 PLC ±0.13 [.005] 3 PLC ± 4 PLC ± ANGLES ±0°30'		PRODUCT SPEC	NAME			HOUSING, CAP
MATERIAL NYLON, UL 94V-0, NATURAL (BRICK RED)		FINISH	-		APPLICATION SPEC	MRII
		WEIGHT	-		SIZE	A2
CUSTOMER DRAWING		SCALE		4:1	CAGE CODE	00779
		DRAWING NO		C-640513		
		SHEET		1	OF	1
		REV		D		

640513

A